



## ***Aeolos-H 50KW***

***Aeolos wind turbine  
SINCE 1986***



**Aeolos-H 50kW**  
windturbinestar.com



Rated power 50 kw  
 Start wind speed 3 m/s  
 Cut-in wind speed 3.0 m/s (6.7 mph)  
 Cut-out wind speed 25 m/s (55.9 mph)  
 Survival wind speed 45 m/s (100.7 mph)  
 Design lifetime 30 years  
 Overall weight 3120 kg (6878.3 lbs) including generator and blades

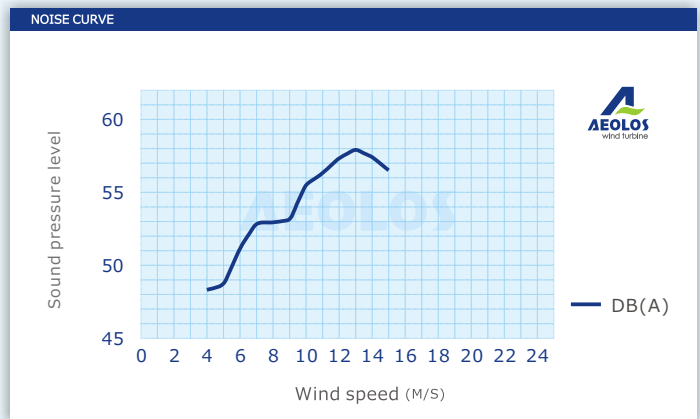
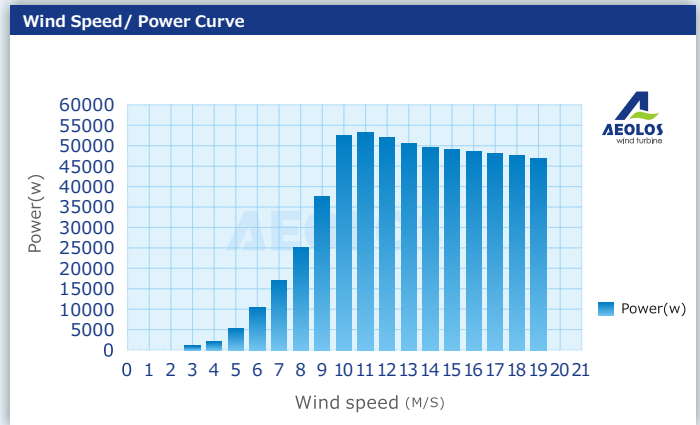
Rotor diameter 18m (59.1 ft)  
 swept area 254.3m<sup>2</sup> (2737.5ft<sup>2</sup>)  
 Rotor speed 60 rpm  
 Blade material Glass fiber

Frequency 50 Hz or 60 Hz  
 Voltage 380-500V  
 Type Three Phase Permanent magnetic generator  
 Generator efficiency >0.85

Main brake system Automatic protection brake system  
 Secondary safety hydraulic brake system

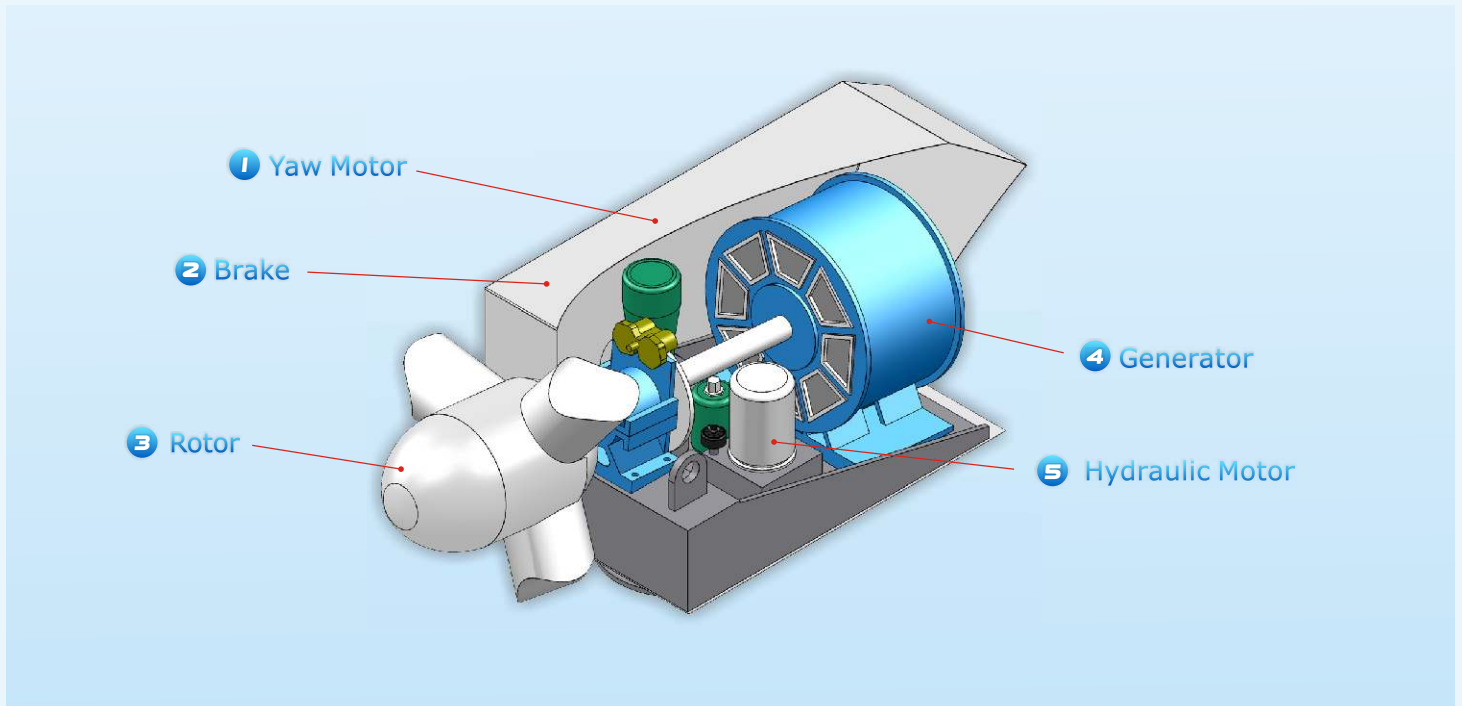
Free standing tower 18m or 24m

Standard warranty 5 years  
 extended warranty 10 years



**Aeolos-H 50kW Wind Turbine Output**

Wind Speed(m/s)	3	4	5	6	7	8	9	10
Generator Power(w)	957	2274	5556	10700	17742	25708	37643	52751
Annual Energy Output(kwh)	8379	19923	48672	93730	155424	225202	329757	462095



## WHY CHOOSE US ?

### 18m Rotor Diameter

Aeolos H- 50kw wind turbine has the largest swept area in 50kw wind turbines. It could capture more wind energy in the same wind speed.

### Directive Drive Generator

Aeolos H - 50kw used patent directive drive generator , no gearbox or booster device. This directive drive design will avoid the potential problems in gearbox and make the turbine more reliable.

### Low RPM Design

AeolosH -50kw rated rotor speed is 60RPM. Low RPM will bring the low noise level and fewer loads to blades.

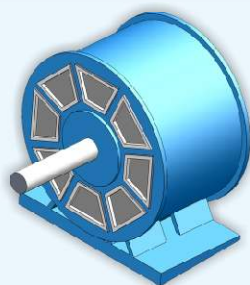
### Dual brake system

Aeolos H-50kw wind turbine has the hydraulic brake system and electronic brake system. They will effectively protect the wind turbine in high wind speed.



### Blades:

Aeolos H 50kw blades were made by vacuum infusion molding process that will ensure the best strength and quality.



### Generator:

Aeolos H 50kw generator is a patent low speed directive drive generator. Ensure the good performance of Aeolos 50kw in reliability, low noisy and output efficiency.



### Controller & Inverter:

Aeolos built a good cooperation with ABB. ABB provided the OEM controller & inverter for Aeolos H 50kw wind turbine.

